



INFERUM

Inferum, LLC
Ekaterinburg, Russia

**Operating and Service Manual
Hardware-Software Complex ROFES E01C
for Functional and Emotional State Testing**

Congratulations on your purchase of your ROFES E01C!



In order to help you learn how to handle the appliance effectively and safely, please, carefully read all the sections of this manual.

This Manual for hardware-software device ROFES E01C is a part of product. Please, read this Manual for ROFES E01C carefully before using.

CONTENTS

INTRODUCTION	4
1. SAFETY INSTRUCTIONS AND MAINTENANCE	6
2. THE PURPOSE	9
3. PRODUCT DESCRIPTIONS.	10
4. TECHNICAL SPECIFICATIONS	12
5. SETTING ELEMENTS	12
6. CONTRAINDICATIONS FOR USE	13
7. OPERATING PROCEDURE	14
8. MAINTENANCE	22
9. DISPOSAL.	23
10. TROUBLE SHOOTING	24
11. MANUFACTURER'S WARRANTY	25
WARRANTY CERTIFICATE.	28
CERTIFICATE OF COMPLIANCE	30

INTRODUCTION

A Mobile «phone» for communication with your body

Up-to-date technologies provide us with fantastic opportunities. We can receive information in a matter of seconds, being remote for thousand of kilometers from the scene. We are able to see, hear and even to participate in the events. However, we are still poorly informed about what is going on inside of our own body. We lack any technical device to communicate with it immediately.

How can we constantly receive the information on the processes occurring in our body so that we could know its trouble spots and prevent the development of dangerous changes? Such devices are generated by space medicine today and they are intended for an assessment of cosmonauts' health level. One of such recently developed devices is a ROFES E01C device for testing the level of your health. It is a small device that works jointly with a mobile communication device. It can be called a mobile «phone» for communication with your body.

What sort of information can we get with its help? The device tests a functional condition of 17 major organs and systems, enabling us to see, how their work is affected by different loads: physical, stressful, connected with malnutrition, bad habits, sharp change in the weather, environmental problems, etc. The program shows, how the whole organism and its every organ react and adjust to this influence. If the organism does not get adapted to loadings, the risk of diseases grows. In this case, the program helps to reveal the trouble

spots, a predisposition of organs to disease and future risk assessments at present. It enables us to be aware of organism's strength reserve.

Regular testing allows us to see in dynamics the working process of separate organs and of the whole body. The assessment of psycho-emotional state shows the influence of emotions on the work of the body. The testing results are displayed in easy and clear five-point evaluate system and marked out by appropriate colors.

All the information can be found in comments on assessments. It is easy to understand to any person and does not demand special medical knowledge. The device is convenient and simple in use. The indications are taken from a point on the hand. To begin testing it is just enough to start up the program and press one button on the device.

The time has come to listen to your body and set ourselves on a positive course, especially now when we are given such opportunities! We have ceased to write each other letters. We use the Internet and cellular communication. So it has come in the field of health to pass to new technologies.

Here is the decision. ROFES E01C device is your mobile «phone» for communication with your body.

WARNING!

ROFES E01C is not intended for self-diagnosing or confirming clinical diagnosis, as well as for prevention, treatment and rehabilitation of diseases, medical research, rehabilitation, and replacement, changes in anatomical structure or physiological functions of the body. The purpose of the device is to control the changes in the functional state of the body and to work out the future disease risks in consequence of repeated dysfunctions. Early detection of risks results in preventive care-seeking.

1. SAFETY INSTRUCTIONS AND MAINTENANCE

1.1. Read all the information regarding your safety carefully as well as recommendations on the cleaning and maintenance of ROFES E01C.

1.2. Special training to operate ROFES E01C is not required.

1.3. The complex is intended for taking data from biologically active point MC-7 which is commonly located at the wrist crease of the left hand (see section 7.4.6).

1.4. Differences between scores on the test and scores on the retest should be due solely to the processes occurring within the body (eating, taking medicine, etc.) and its exposure to external influence (physical activity, stress, etc.). It is not the consequence of device malfunction.

1.5. In order to avoid high-frequency disturbances that may lead to inaccuracy in testing and probable malfunction of the device do not connect the user to any high-frequency equipment while testing.

1.6. ROFES E01C contains fragile items. Protect against shocks.

1.7. ROFES E01C is not waterproof. Protect from moisture.

1.8. As with all electronic devices, keep the device out of the reach of children unless they have been given supervision or instruction concerning use of the appliance by a person responsible for their safety.

1.9. Keep it away from heaters; avoid prolonged exposure to direct sunlight at high (over +35 °C) temperatures.

1.10. This appliance is not intended for use by persons with reduced physical, sensory or mental capabilities.

1.11. The special software for ROFES E01C is intended to work conjunctively with devices running the operational system:

- **Windows 7/8/10;**
- **Android, version 4.2 and higher, display size not less than 7 inches, and support of the technology of work with OTG (On-The-Go) external devices.**

Note: More about recommended compatible mobile devices see on the www.rofes.eu

1.12. In order to avoid possible injuries to your body or to the appliance, do not attempt any repairs by yourself. Such work should be carried out by qualified service personnel.

1.13. The device is not applicable for testing pets. The technology is intend only for human body!

1.14. Use only for its intended purpose as described in this manual.

1.15. **Transportation conditions:** temperature from -50°C to $+50^{\circ}\text{C}$, relative humidity from 30% to 93%, atmospheric pressure of 70kPa to 106kPa. The device should only be transported in a closed vehicle.

1.16. **Storage conditions:** Packed appliances should be stored indoors at ambient temperatures from -40°C to $+50^{\circ}\text{C}$ and relative humidity of 80% (upper value) at $+25^{\circ}\text{C}$.

1.17. **Operating conditions:** temperature from $+10^{\circ}\text{C}$ to $+35^{\circ}\text{C}$, relative humidity from 30% to 93%, atmospheric pressure of 70kPa to 106kPa.



1.18. The manufacturer details are stated on page 27 of the present Manual.

COUNTRY AUTH REP

1.19. For information related to the official representative in the EU and the Middle East countries, see page 27 of the present Manual.

WARNING!

If the device has been stored at an ambient temperature below $+10^{\circ}\text{C}$, keep it boxed for three hours at room temperature to avoid condensation.

2. THE PURPOSE

Hardware-software complex ROFES E01C is designed to test the overall level of health and functional status of 17 major organs and body systems, to identify their adaptive resources and predict the signs of dysfunction developing, as well as assessment of a mental and emotional state of a person. This enables the user to take sufficiently early actions to maintain and protect their health.

Hardware-software complex ROFES E01C is not intended for self-diagnosing or confirming clinical diagnosis, as well as for prevention, treatment and rehabilitation of diseases, medical research, rehabilitation, and replacement, changes in anatomical structure or physiological functions of the body. The purpose of the device is to control the changes in the functional state of the body and to work out the future disease risks in consequence of repeated dysfunctions. Early detection of risks results in preventive care-seeking.

The assessment of mental and emotional state indicates the level of fatigue, stress and nervous tension, and enables you to see the influence of emotions on the work of your body.

3. PRODUCT DESCRIPTIONS

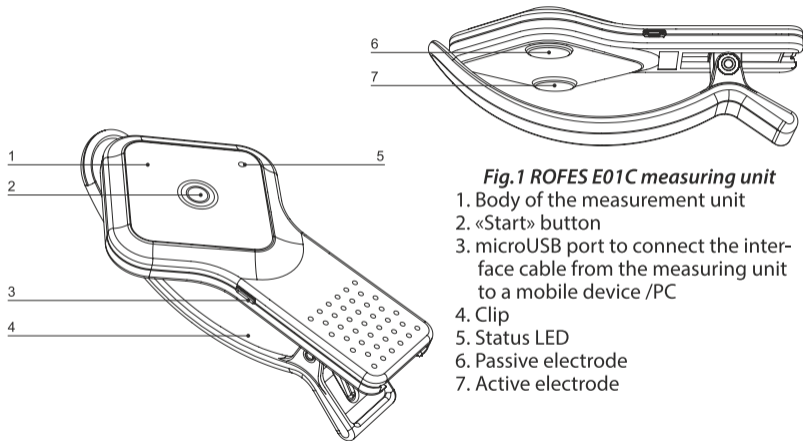


Fig.1 ROFES E01C measuring unit

1. Body of the measurement unit
2. «Start» button
3. microUSB port to connect the interface cable from the measuring unit to a mobile device /PC
4. Clip
5. Status LED
6. Passive electrode
7. Active electrode



Hardware and software complex ROFES E01C meets basic requirements;
it is confirmed by the Certificate of Conformity No. TA3801422.

4. TECHNICAL SPECIFICATIONS

Max. current consumption	150 mA
Power USB.	5 B
Weight, max.	0,1 kg
Power source.	USB-connection
Size, max.	140x70x40 mm
Appliance classes	.III
Index of protection.	IP 31

5. SETTING ELEMENTS

Measuring unit ROFES E01C.	1 pcs.
Operating and Service Manual.	1 pcs.
USB flash memory drive with special software (see section 5.1).	1 pcs.
Cable USB-microUSB (see section 5.1) for connection with PC.	1 pcs.
Cable microUSB-microUSB * (see section 5.1) cable to connect to the mobile device (see section 5.2)	1 pcs.
Case*	1 pcs.
Cosmetic tissues (see section 5.3).	1 pack
Consumer container	1 pcs.

** Kitting may be different and depends on country of supply.*

5.1. Warranty of manufacturer is not produced on included cables and case. Warranty on USB flash memory drive is 1 (one) month from the date of purchasing.

5.2.If you need to connect ROFES E01C to mobile devices, instead of a microUSB-microUSB cable you may use OTG-microUSB cable (supplied separately) in conjunction with a USB-microUSB cable.

5.3. You may use cosmetic tissues from other manufacturers, different from those supplied.

WARNING!

When choosing cosmetic tissues make sure they are not alcohol-based and not impregnated with cream!

6. CONTRAINDICATIONS FOR USE

- intolerance on plastic components and metal electrodes of the measuring unit contacting with skin;
- intolerance on a short-time effect of microcurrent;
- irritated skin on the place of the contact with the electrodes;
- the presence of malignant diseases;
- if you are using cardiac pacemaker;
- pregnancy.

7. OPERATING PROCEDURE

7.1. The method is based on stimulating the biologically active point MC-7 on the inner side of your left hand wrist by passing an electrical microcurrent impulse through it to all the organs causing a respond reaction. Every organ of a human body operates in its own strictly defined, proper rhythm. The responses from the rhythms, like an echo, get back to the device and later they are compared with reference ranges for a healthy person of corresponding sex and age in the program.

The result of data testing is presented in four assessments:

- overall level of health status;
- functional state of organs and systems;
- energy resources of organs and systems that determine their adaptive responses to various load;
- psycho-emotional state.

Results of testing are represented by understandable system of marks (the five-point scale) and marked by the appropriate colors:

Point	5	4	3	2	1
Color	Dark green	Green	Yellow	Orange	Red
Current health status rate	High	Well above average	About average	Well bellow average	Low

Hardware-software complex ROFES E01C is intended for use with people of all age groups who watch over their own and their relatives' and friends' health. No special testing conditions needed. Testing can be carried out at any convenient time for the user. During the testing, the user can take any comfortable position. However, make sure to perform all the actions specified in paragraph «The testing procedure» (see section 7.4).

7.2. How often you can use ROFES E01C.

The frequency of test running is determined by the user as often as it is required, having regard to previous overall health state rate.

WARNING!

Due to the necessity of rest of biologically active point, software allows the procedure only once in twenty minutes.

The users with:

- a high level of health state should implement the device not less than once every 10 days;
- a good level of health state should implement the device not less than once every 5 days;
- a satisfactory level of health, the test is carried out daily;
- unsatisfactory level of health, the testing is recommended at least 2 times a day, in the morning and in the evening;
- under the age of forty, the testing is recommended at least once a week, over forty years — at least once every three days;

- for the people working under stress conditions, testing is recommended at least 2 times a day, in the morning and in the evening;
- for the people who are actively involved in sports or work under conditions of extreme physical exertion and manual labor, the test is recommended at least 2 times a day — in the morning and in the evening.

7.3. Installation and connection.

7.3.1. Install the software.

7.3.1.1. Download appropriate software for your mobile devices from The Google Play according with your model of ROFES E01C. The name of software you may specify from your distributor.

More about work of ROFES E01C with mobile devices read in chapter «Information» of mobile devices.

WARNING!

The software for ROFES E01C is intended to work jointly with mobile communication devices running the operational system Android, version 4.2 and higher, display size not less than 7 inches, and support of the technology of work with OTG (On-The-Go) external devices.

Note: More about recommended compatible mobile devices see on the www.rofes.eu

7.3.1.2. For the personal computer (PC) install software from USB flash memory drive in the setting elements.

You may use your laptop according to the terms of compatibility for PC (section 1.11).

WARNING!

The software in the setting elements of ROFES E01C is assigned for work with PC with operating system Windows 7/8/10.

The developer of the software is able to the right to change the software for improvement of user's description. The actual version of program and operating manual may be downloaded from www.rofes.eu

7.3.2. To log in you should fill in the registry with the required information: your name, sex and the date of birth, as well as the password (if it's necessary) to login to your user account and e-mail address for the password recovery (the password is optional).

WARNING!

When registering, specify your sex and the date of birth correctly. These characteristics are important for testing and estimation accuracy.

7.3.3. When restarting the testing process, select your account in the «Your login» or add a new user, by clicking on the «New account», following the paragraph 7.3.2.

WARNING!

The number of users implementing the device ROFES E01C is unlimited.

7.4. The testing procedure.

7.4.1. Connect your ROFES E01C with mobile device or PC. Use one of USB cables for that (see section 5).

7.4.2. Startup the software.

WARNING!

It is necessarily to connect ROFES E01C with PC before startup of the software.

7.4.3. To conduct the test firstly select the personal data line from the list of users registered in the program.

7.4.4. Sit down on the chair or the armchair or on the couch. Relax, take off your watches or bracelets from the left wrist and turn back the clothes' sleeve, if necessary (Fig. 2).

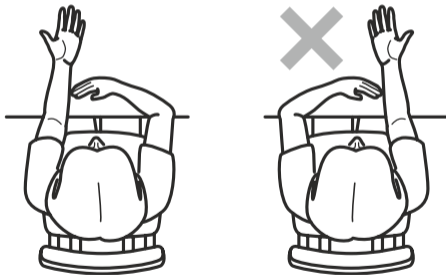


Fig.2

7.4.5. Wipe with damp cosmetic tissue the inner surface of the wrist in the place of the contact with the electrode and the electrodes of the measuring unit.

WARNING!

The time lag between wiping your wrist and starting the test should not exceed 4–6 sec. Test results will be invalid if these actions have not been fulfilled.

7.4.6. Holding your left hand, palm up, place the device on the wrist. Biologically active points (BAP) on the left hand wrist should be aligned with the active electrode of the diagnostic unit (Fig. 1). BAP is in the middle of the fold line of the hand (Fig. 3).

WARNING!

«Biologically active point» or BAP is a point on your skin which exhibits special physiological properties distinguishing it from surrounding skin surface area. Particularly, these points demonstrate a higher level of skin conductance. The conductance of BAP will depend on physiological and psychological states at a moment in time. This property of BAP is used in testing. BAP is easy to find. Bend your left hand at the wrist. Put your right thumb right in the middle of the formed fold between the hand and the forearm. Unbend your arm without lifting the finger. The finger will stand at the point where the active electrode of the device is adjusted (Fig. 3).

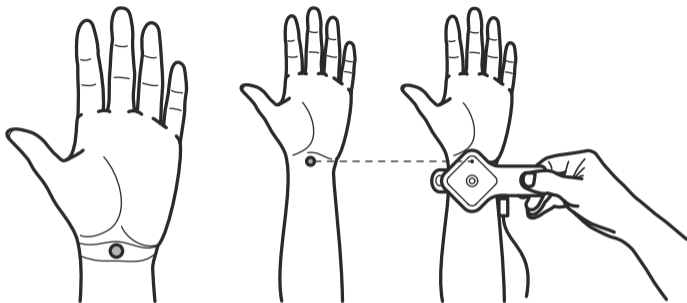


Fig.3

7.4.7. After blinking of 4–5 signals of light diode push the button «START» on the ROFES E01C within 0,5–1 sec. or the button «START» on the panel of mobile device, or the button «START» on the screen of PC. During testing procedure do not move, do not displace the hand with ROFES E01C until do not see the message on screen of mobile device or PC about the successful end of testing procedure.

WARNING!

In case of non-specified action on these items, the test results will be invalid!

WARNING!

If the test was carried out improperly, the information about the incorrect test procedure will appear on the display of your mobile communication device. Wait for 15 seconds and repeat the test on the scheme above (considering all the necessary actions to get prepared for the test), but perform it not more than three times. In case of three unsuccessful attempts repeat the testing in 20 minutes. If thereafter you still receive the message mentioned above, contact the technical support service, please.

7.4.8. Take off the device.

7.4.9. Get to know your test results.

WARNING!

If the rates «2» and «1» are repeated and predominate within several tests successively, the predisposition to malfunctions and thereby occurrence of risk of diseases is increased. However it is possible to confirm or disprove any sign of raised risk of developing a disease only after have taken three or more tests according to the results of tendency analysis. When the steady tendency to recurrent dysfunction goes on, it is recommended to visit a doctor.

WARNING!

The system may not assess your likelihood of developing the signs of risk and the conditions of disease development, if you have a chronic process in the stage of compensation or, if it is a result of medication or other therapeutic interference. In these cases, the device will show the status of organs and systems, taking into account the impact they are exposed to.

7.4.10. Pull out USB cable out of ROFES E01C and mobile device/PC. Shut down the software.

WARNING!

It is recommended regularly (at least once a week) to clean the electrodes with cleaning cloth. It is important to store the device with its electrodes dry.

8. MAINTENANCE

Maintenance must be set as follows:

8.1. Visual inspection of the product. Make sure that the device is undamaged and detects no signs of evidence of shock because it can lead to its further incorrect running.

8.2. Before starting the device as well as after using it, it is necessary to clean up the electrodes of the measuring unit. To clean the electrodes use nonaggressive disinfectants (e.g., soapy water or a weak solution of chlorhexidine) and a soft lint-free cloth. Inadequate cleaning may cause allergic reactions or lead to skin infection when the device is shared by several users.

8.3. Check of ROFES's functionality should be made in compliance with chapter 7 of this Manual.

WARNING!

Do not use alcohol-based solutions to clean the electrodes!



9. DISPOSAL

All packaging materials are not harmful to the environment, they can be reused.

After the end of its working life the device does not present any potential hazardous effect on environment, human life and health.

Appropriate waste handling of electronic equipment.



WARNING!

Waste equipment is not completely unnecessary waste! The device contains valuable materials which can be used repeatedly after utilization with consideration of requirements of environmental protection. They shall be delivered to specially intended for this purpose places (consult with corresponding services in your district) for collection and processing.

10. TROUBLE SHOOTING

Table 1 shows the problems which you can solve independently. In case there are other problems occurred, please, contact the manufacturer's representative. Do not attempt any repairs by yourself!

Table 1.

Problem issue	Solution
No connection with the measuring unit. A message on the screen: «The device is not connected».	<ul style="list-style-type: none">• Check the USB cable connection;• If the cable is connected, disconnect and replace it by a similar one;• If the problem persists, contact the service centre.
No signal from LED.	<ul style="list-style-type: none">• Check the USB cable connection.
	<ul style="list-style-type: none">• If the cable is connected, disconnect and change it to a similar one.
	<ul style="list-style-type: none">• If the problem persists, contact the service centre.

Problem issue	Solution
LED display is lit only by a single color.	<ul style="list-style-type: none"> • Contact the service center.
After pressing the button the testing doesn't start.	
While testing a person 3 times successively appears the message: «Incorrect test result».	<ul style="list-style-type: none"> • Carry out the testing the other person, if the situation persists, then contact the service center.

WARNING!

All others works on maintenance and repair of the device must be executed by qualified specialists of the manufacturer or service center of the manufacturer.

11. MANUFACTURER'S WARRANTY

11.1. The service life of the product is 5 years from the date of manufacture. If this Manual are followed properly, the lifetime of the device can exceed the officially established term.

11.2. This product is warranted for the period of 24 months from the original date of purchase.

11.3. The manufacturer or the manufacturer's authorized dealers exclude all liability and responsibility to the customer for any damage occurred after purchase, resulting from:

- mishandling, improper transportation, failure to follow operating and maintenance;
- instructions provided by this manual;
- third party activities;
- force majeure.

11.4. The warranty does not apply to products which have had their warranty seals damaged or removed.

11.5. If, within the warranty period, the product is determined to be defective or incomplete, please, send your claims to the manufacturer (use the post address) or the dealer you purchased the product from. Deliver the item back, including a repair request report, with your name, surname, address and telephone number.

Enclose a note explaining the symptom or difficulties observed with the product's performance.

**Inferum, LLC****Legal address:**

86, Belinskogo st., apt. 487,
Ekaterinburg, Russia, 620026

Postal address of the central office:

12 bld. 1, Sibirsky Tract, of. 206,
Ekaterinburg, Russia, 620100

Factory address:

74, Mekhanizatorov st., Kamensk-Uralsky,
Sverdlovsk oblast, Russia, 623417

Tel./fax: +7 343 247 84 51

E-mail: info@inferum.ru

www.inferum.ru

**INFERUM, s.r.o.**

839/2, Rybářská,
Karlovy Vary,
Czech Republic, 360 17
E-mail: info@inferum.ru
www.rofes.eu

**Indomedix Egypt**

4Ebn, Abd El-Zaher st.,
Mansheit El Bakery, Heliopolis, Cairo, Egypt
Tel.: +202 245 17 339, +202 225 62 079,
+202 225 97 541, +2 0100 434 8884
Fax: +202 245 172 96
E-mail: indomedix@gmail.com

**Modern Advanced Medical Devices Trading**

1/F Al Kazim Group bld., of. A9,
Al Garhoud Dubai, UAE
Tel.: +971 4 2288 579, +971 58 6933 660,
+971 50 9441 390, +966 50086 4444
E-mail: mamdt@eim.ae

The actual version of program and operating manual may be downloaded from www.rofes.eu

WARRANTY CERTIFICATE

Name: **Hardware-software complex ROFES E01C**

Serial number of device

Date of manufacture

Date of purchase

Owner

Address

Telephone:

home work

Date of dispatch for maintenance

Please, explain the reason why device was sent for maintenance

.

.

Note of completed maintenance

Signature of the authorized person in the company responsible for acceptance after maintenance

The device was tested; I have no claims as to the completeness of the device in accordance with scope of delivery and the appearance of the device.

Signature of the buyer

Date received

Repaired product will be warranted 12 months from the date of receipt of the item repaired. In case if the warranty period from the date of purchase is longer than 12 months, the guarantee is calculated to a longer period. The warranty period also extends to the time spent on the product to be repaired.

CERTIFICATE OF COMPLIANCE

Hardware-software complex ROFES E01C been found fit for service.

Serial number of device and Manufacturing date:

Acceptance note:

Date of sale

Signature of the seller:

I am aware of the warranty terms and conditions; the device was tested; I have no claims as to the completeness of the device in accordance with scope of delivery and the appearance of the device.

Signature of the buyer

Please, carefully inspect the device at the time of purchase! Defects of the body (scratches, cracks, splits) are not covered by the warranty. Devices with such defects shall maintenance or returned.